



Automotive Cooling Fan Protector Series

First Technology's Automotive Cooling Fan Protector Series of circuit breakers are used to protect cooling fan motors in under hood 12 Volt DC applications. This patented device is available in both automatic reset and remote reset configurations and in a variety of wire lengths and terminations.

The device is self-contained, which eliminates the need for a fuse block and makes the device well suited for under hood environments. First Technology encapsulates one of their Maxi Breaker® circuit protectors within the device to protect against momentary overloads and eliminate the need for fuse replacement.

First Technology is an ISO and TS Registered company. We provide world-class quality products error free and on time.

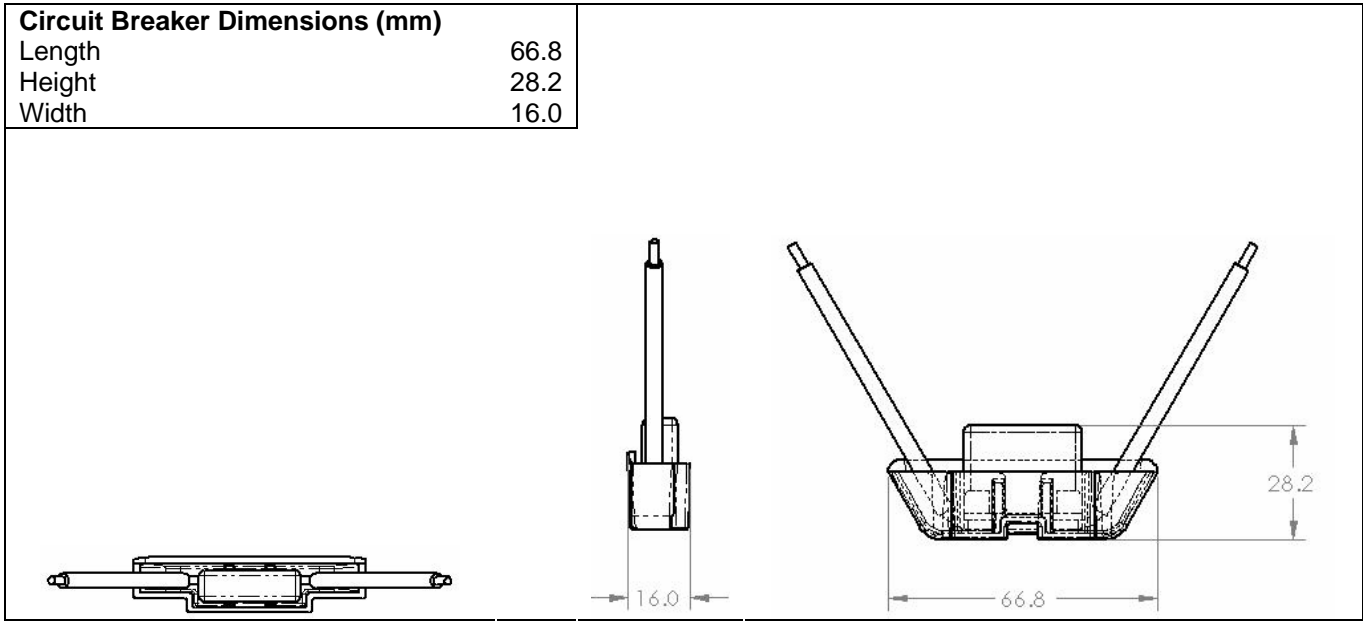
Features:

- Available in SAE Type I (cycling) and SAE Type II (non-cycling)
- Multiple bimetallic resistivities available
- Available in any amperage from 10 to 50 amps rated current
- Heater wire wrapped around the bimetal keeps the protector open until the power is removed

Benefits:

- Insensitive to momentary overloads
- Self-resetting characteristic adds safety to critical areas of protection
- Ambient compensated design allows for use in harsh areas where temperatures may reach 125° C
- Accommodates longer life cycle requirements
- Matches the derating characteristic of wire
- No fuse block is needed for installation
- Circuit breaker is encapsulated for harsh environments





Top View

Side View

Front View

General Specifications	
Nominal Operating Voltage	14 Volts DC
Typical Voltage Drop at Operating Current	200 Mv max
Typical Ambient Temperature Range	-40°C to 125°C
Maximum Operating Current Depending on Type	10 to 50 Amps Rated Current DC

Global Sales Offices

North America

Sensata Technologies, Inc.
 Electrical Protection
 529 Pleasant Street, MS B-49
 Attleboro, Massachusetts 02703
 Phone: 1-508-236-3287

Europe

Sensata Technologies Holland B.V.
 Kolthofsingel 8
 7602 EM Almelo
 The Netherlands
 Phone: 31-546-879560

Asia

Sensata Technologies (Shanghai) Co., Ltd.
 Novel Plaza, 8th Floor
 128 Nanjing Road
 West Huangpu District
 Shanghai 200003, PRC
 Phone: 86-21-23061553

Central & South America

Sensata Technologies Sensores e
 Controles Do Brasil LTDA.
 Rua Azarias de Melo, 648
 Bairro Taquaral-Campinas/SP
 Brasil
 Phone: 19-3754-1142

Middle East & India

Sensata Technologies India Pvt. Ltd.
 Bagmane Tech Park
 Byrasandra CV Raman Nagar
 Bangalore-560 093
 India
 Phone: 91-25-099329

